



RAA 2021

elegantly designed for elegant applications

DESCRIPTION

Raa has been designed as compact and stylish track spotlight without making any compromise on its looks. In the front of the powder coated aluminium cylindrical housing is an anti-glare baffle for optical comfort. In the back is a fine stem which tilts the housing and connects to the track adapter.

LED INFO

The Cree COB modules come in a variety of options of beam angle, output and colour temperature.

RANGE

Raa comes as a track or ceiling mounted luminaire. The track mounted version has the LED driver integrated in the track, where the ceiling mounted version has the driver remote. The output is either 1300lm (CRI90) or 1400lm (CRI80) in 2700, 3000 and 4000K, all in a spot, medium and flood beam. Standard colours are structural white and black in combination with a white, black or gold baffle. Colours can be easily customized in other RAL combinations, creating playful and colourful details.

POWER SUPPLY

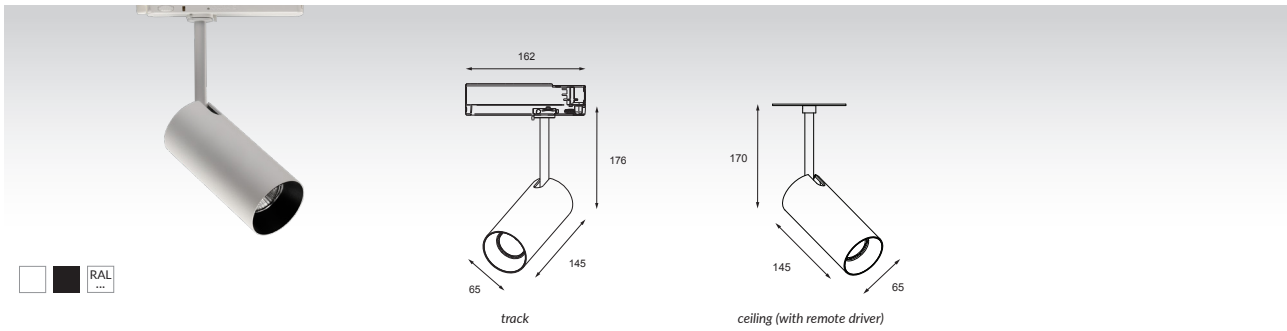
Raa has an integrated LED driver in the track adapter or a remote driver for the ceiling mounted version, available as DALI dimmable as well as non-dimmable.

INSTALLATION

Track mounted by means of universal 3-phase track adapter. Ceiling mounted version requires an 80mm cut-out and is suitable for ceiling thickness of 1 - 25mm.

MORE INFORMATION





Product coding

The product code consists of 4 parts:

1. The product family, size and directional feature
RAA50D.TRCK.14A827S.WH.D.BB
2. The Light engine, lumens, generation, colour, beam, colour of the fixture and type of LED driver control
RAA50D.TRCK.14A827S.WH.D.BB
3. The driver and controls
RAA50D.TRCK.14A827S.WH.D.BB
4. Baffle colour selection and optional accessory
RAA50D.TRCK.14A827S.WH.D.BB

Product	Size	Type	Mounting	Code
RAA	50mm	directional	track	RAA50D.TRCK
			ceiling	RAA50D.CEIL

CRI 80	lumens (system)	W (system)	CRI	CCT		add to Code	
						White structure	Black structure
	840lm	14W	>80	2700K		.14A827S.WH	.14A827S.BK
	1160lm	14W	>80	3000K	spot / 15°	.14A830S.WH	.14A830S.BK
	1280lm	14W	>80	4000K		.14A840S.WH	.14A840S.BK
	830lm	14W	>80	2700K		.14A827M.WH	.14A827M.BK
	1300lm	14W	>80	3000K	medium / 35°	.14A830M.WH	.14A830M.BK
	1310lm	14W	>80	4000K		.14A840M.WH	.14A840M.BK
	830lm	14W	>80	2700K		.14A827F.WH	.14A827F.BK
	1360lm	14W	>80	3000K	flood / 50°	.14A830F.WH	.14A830F.BK
	1320lm	14W	>80	4000K		.14A840F.WH	.14A840F.BK

CRI 90	lumens (system)	W (system)	CRI	CCT		add to Code	
						White structure	Black structure
	880lm	14W	>90	2700K		.13A927S.WH	.13A927S.BK
	1100lm	14W	>90	3000K BBBL	spot / 15°	.13A930S.WH	.13A930S.BK
	1170lm	14W	>90	4000K		.13A940S.WH	.13A940S.BK
	890lm	14W	>90	2700K		.13A927M.WH	.13A927M.BK
	1080lm	14W	>90	3000K BBBL	medium / 35°	.13A930M.WH	.13A930M.BK
	1150lm	14W	>90	4000K		.13A940M.WH	.13A940M.BK
	900lm	14W	>90	2700K		.13A927F.WH	.13A927F.BK
	1030lm	14W	>90	3000K BBBL	flood / 50°	.13A930F.WH	.13A930F.BK
	1160lm	14W	>90	4000K		.13A940F.WH	.13A940F.BK

Driver type	add to Code
fixed output	.F
DALI	.D

Baffle	add to Code			Filter	add to Code
	white	black	gold		Honeycomb
Colour code	.BW	.BB	.BG	Honeycomb filter (optional)	.HC

