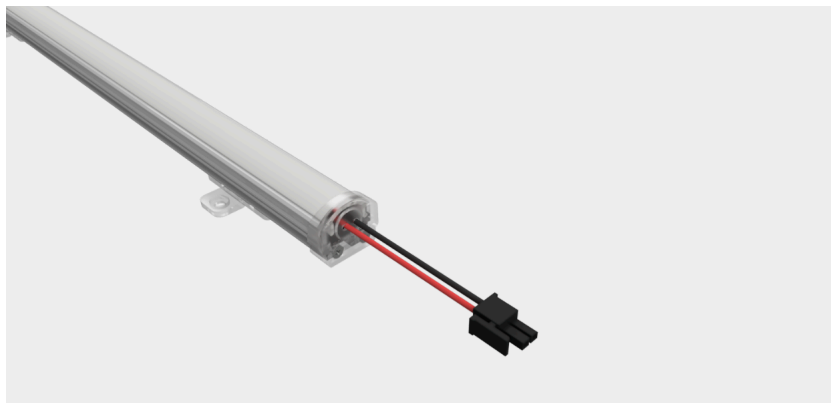




# Cove 1 Opal



## Housing

Matt natural anodized, aluminum extrusion profile and mounting accessories with plastic end cap.

## Optics

Opal, white, diffusing polycarbonate lens with lambertian light distribution.

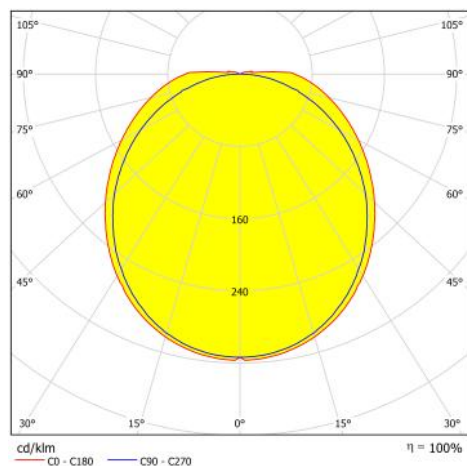
## Led

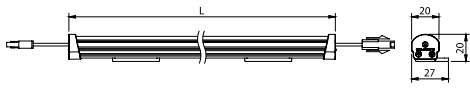
High-efficacy mid power LED with CRI>80, achieving L70B50 ≥ 50,000 hours of lifetime.

## Driver

24Vdc external type. Constant voltage output driver with high efficiency.

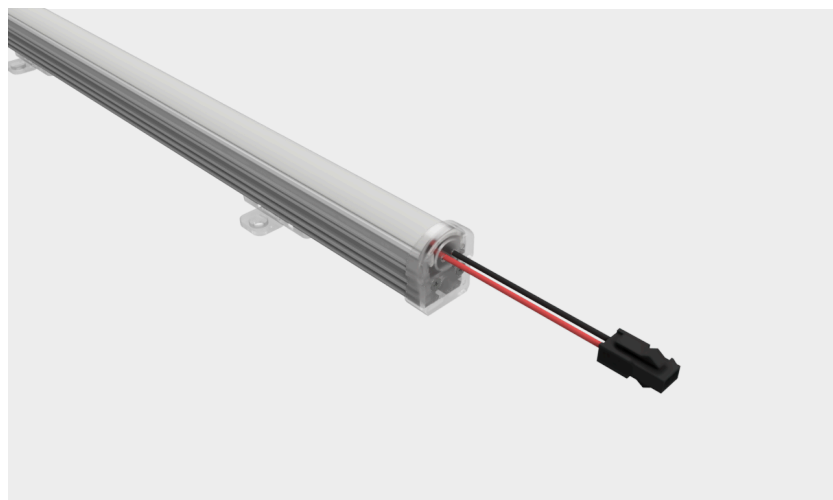
Type Code	Power (w)	CCT (K)	Light Output (lm)	CRI	V/Hz	Weight (Kg)	L (mm)
SDCVI.135.2.30	2	3000	155	>80	24V DC	0,04	135
SDCVI.135.2.40	2	4000	165	>80	24V DC	0,04	135
SDCVI.260.4.30	4	3000	310	>80	24V DC	0,07	260
SDCVI.260.4.40	4	4000	330	>80	24V DC	0,07	260
SDCVI.505.8.30	8	3000	700	>80	24V DC	0,14	505
SDCVI.505.8.40	8	4000	745	>80	24V DC	0,14	505
SDCVI.1000.16.30	16	3000	1245	>80	24V DC	0,28	1000
SDCVI.1000.16.40	16	4000	1320	>80	24V DC	0,28	1000
SDCVI.1245.20.30	20	3000	1550	>80	24V DC	0,34	1245
SDCVI.1245.20.40	20	4000	1650	>80	24V DC	0,34	1245
SDCVI.1495.24.30	24	3000	1860	>80	24V DC	0,41	1495
SDCVI.1495.24.40	24	4000	1980	>80	24V DC	0,41	1495







## Cove 2 Opal



### Housing

Matt natural anodized, aluminum extrusion profile and stainless steel mounting accessories with plastic end cap.

### Optics

Opal, white, diffusing polycarbonate lens with lambertian light distribution.

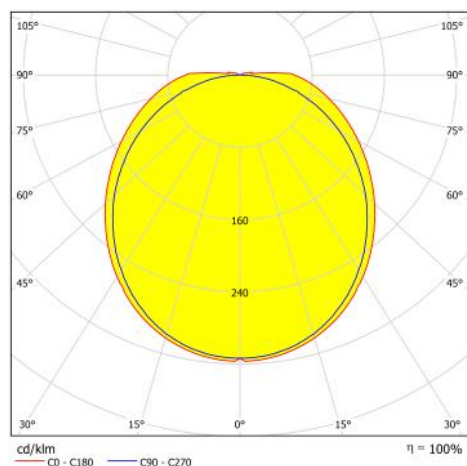
### Led

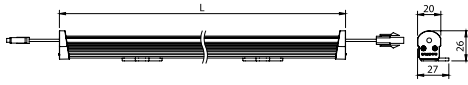
High-efficacy mid power LED with CRI>80, achieving L70B50 ≥ 50,000 hours of lifetime.

### Driver

24Vdc external type. Constant voltage output driver with high efficiency.

Type Code	Power (w)	CCT (K)	Light Output (lm)	CRI	V/Hz	Weight (Kg)	L (mm)
SDCVK.135.3.30	3	3000	240	>80	24V DC	0,06	135
SDCVK.135.3.40	3	4000	260	>80	24V DC	0,06	135
SDCVK.260.6.30	6	3000	490	>80	24V DC	0,10	260
SDCVK.260.6.40	6	4000	520	>80	24V DC	0,10	260
SDCVK.505.12.30	12	3000	990	>80	24V DC	0,19	505
SDCVK.505.12.40	12	4000	1070	>80	24V DC	0,19	505
SDCVK.1000.24.30	24	3000	2040	>80	24V DC	0,37	1000
SDCVK.1000.24.40	24	4000	2170	>80	24V DC	0,37	1000
SDCVK.1245.30.30	30	3000	2480	>80	24V DC	0,46	1245
SDCVK.1245.30.40	30	4000	2640	>80	24V DC	0,46	1245
SDCVK.1495.36.30	36	3000	2980	>80	24V DC	0,55	1495
SDCVK.1495.36.40	36	4000	3170	>80	24V DC	0,55	1495







## Lightpath

### Housing

Matt natural anodized, aluminum extrusion profile and stainless steel mounting accessories with plastic end cap.

### Optics

Acrylic transparent diffuser.

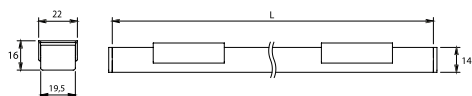
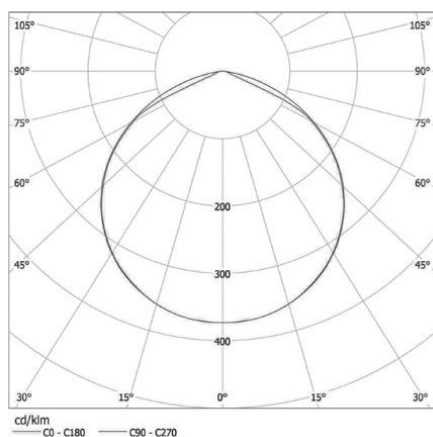
### Led

High-efficacy mid power LED with CRI>80, achieving L70B50 ≥ 50,000 hours of lifetime.

### Driver

24Vdc external type. Constant voltage output driver with high efficiency.

Type Code	Power (w)	CCT (K)	Light Output (lm)	CRI	V/Hz	Weight (Kg)	L (mm)
SDLIG.250.5.30	5	3000	480	>80	24V DC	0,7	250
SDLIG.500.10.30	10	3000	970	>80	24V DC	0,14	500
SDLIG.1000.20.30	20	3000	1860	>80	24V DC	0,35	1000





## Diamond

### Housing

Matte natural anodized, aluminum extrusion profile and stainless steel mounting accessories with plastic end cap.

### Optics

Acrylic transparent optical lens.

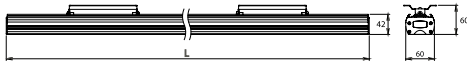
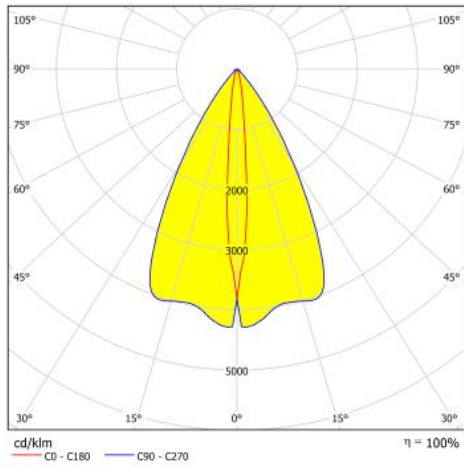
### Led

High-efficacy mid power LED with CRI>80, achieving L70B50 ≥ 50,000 hours of lifetime.

### Driver

24Vdc external type. Constant voltage output driver with high efficiency.

Type Code	Power (w)	CCT (K)	Light Output (lm)	CRI	V/Hz	Weight (Kg)	Beam Angle	L (mm)
SDDMD. 300.15.30.55	15	3000	1080	>80	24V DC	0,30	9°/55°	300
SDDMD. 300.15.40.55	15	4000	1160	>80	24V DC	0,30	9°/55°	300
SDDMD. 600.30.30.55	30	3000	2160	>80	24V DC	0,60	9°/55°	600
SDDMD. 600.30.40.55	30	4000	2320	>80	24V DC	0,60	9°/55°	600
SDDMD. 900.45.30.55	45	3000	3240	>80	24V DC	0,90	9°/55°	900
SDDMD. 900.45.40.55	45	4000	3480	>80	24V DC	0,90	9°/55°	900
SDDMD. 1200.60.30.55	60	3000	4320	>80	24V DC	1,2	9°/55°	1200
SDDMD. 1200.60.40.55	60	4000	4640	>80	24V DC	1,2	9°/55°	1200
SDDMD. 1500.75.30.55	75	3000	5660	>80	24V DC	1,5	9°/55°	1500
SDDMD. 1500.75.40.55	75	4000	6090	>80	24V DC	1,5	9°/55°	1500





## Ruby

### Body

White electrostatic powder coated aluminum extrusion profile.

**Diffuser** PMMA (acrylic) elliptic optical lens.

### Led

High-efficacy mid power LED with CRI>80, achieving L70B50 ≥ 50,000 hours of lifetime.

### Driver

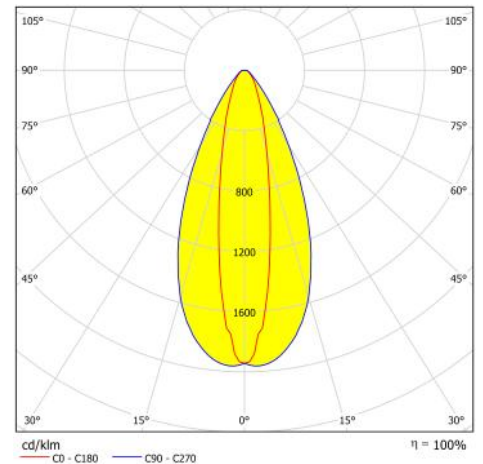
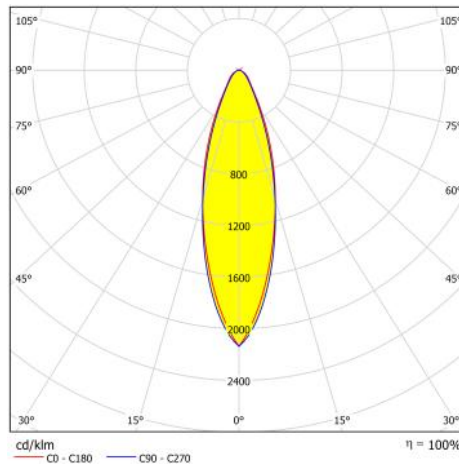
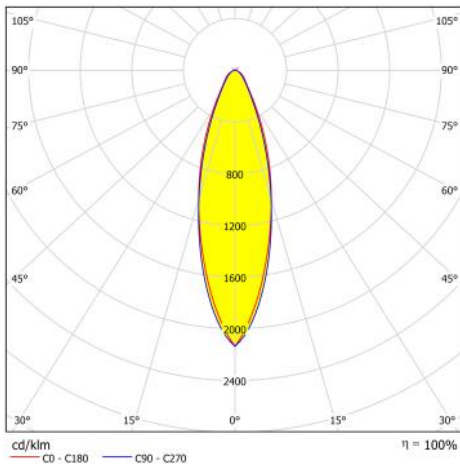
External type 24V constant voltage output.

### Accessory

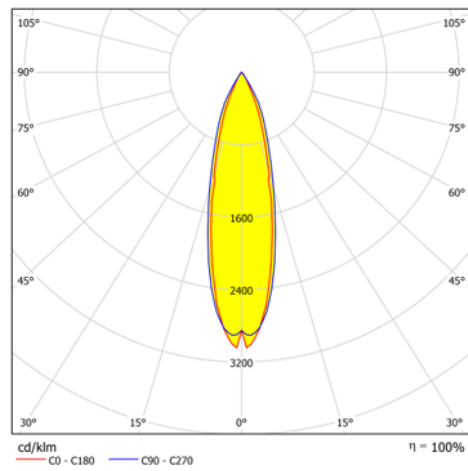
90° fixing accessory (Check out the accessories tab)

Type Code	Power (w)	CCT (K)	Light Output (lm)	CRI	V/Hz	Weight (Kg)	Beam Angle	L1 (mm)	L2 (mm)
SDRUB. 300.27.11.30	11	3000	1150	>80	24V DC	0,28	27°	305	-
SDRUB. 300.38.11.30	11	3000	1150	>80	24V DC	0,28	38°	305	
SDRUB. 300.4520.11.30	11	3000	990	>80	24V DC	0,28	20°/45°	305	
SDRUB. 600.27.23.30	23	3000	2310	>80	24V DC	0,57	27°	602	325
SDRUB. 600.38.23.30	23	3000	2310	>80	24V DC	0,57	38°	602	325
SDRUB. 600.4520.23.30	23	3000	1980	>80	24V DC	0,57	20°/45°	602	325
SDRUB. 900.27.33.30	33	3000	3460	>80	24V DC	0,85	27°	898	617
SDRUB. 900.38.33.30	33	3000	3460	>80	24V DC	0,85	38°	898	617
SDRUB. 900.4520.33.30	33	3000	2990	>80	24V DC	0,85	20°/45°	898	617
SDRUB. 1200.27.44.30	44	3000	4620	>80	24V DC	1,42	27°	1195	750
SDRUB. 1200.38.44.30	44	3000	4620	>80	24V DC	1,14	38	1195	750
SDRUB. 1200.4520.44.30	44	3000	3960	>80	24V DC	1,14	20°/45°	1195	750
SDRUB. 1500.27.55.30	55	3000	5770	>80	24V DC	1,42	27°	1490	900
SDRUB. 1500.38.55.30	55	3000	5770	>80	24V DC	1,42	38°	1490	900
SDRUB.	55	3000	4950	>80	24V DC	1,42	20°/45°	1490	900

Type Code	Power (w)	CCT (K)	Light Output (lm)	CRI	V/Hz	Weight (Kg)	Beam Angle	L1 (mm)	L2 (mm)
1500.4520.55.30	55	3000	4950	>80	24V DC	1,42	20°/45°	1490	900
SDRUB.G. 300.27.11.30	11	3000	805	>80	24V DC	0,37	27°	307	
SDRUB.G. 300.38.11.30	11	3000	805	>80	24V DC	0,37	38°	307	
SDRUB.G. 300.4520.11.30	11	3000	760	>80	24V DC	0,37	20°/45°	307	
SDRUB.G. 600.27.23.30	23	3000	1620	>80	24V DC	0,7	27°	604	325
SDRUB.G. 600.38.23.30	23	3000	1620	>80	24V DC	0,7	38°	604	325
SDRUB.G. 600.27.4520.30	23	3000	1520	>80	24V DC	0,7	20°/45°	604	325
SDRUB.G. 900.27.33.30	33	3000	2500	>80	20°/45°	1	27°	991	617
SDRUB.G. 900.38.33.30	33	3000	2420	>80	24V DC	1	38°	991	617
SDRUB.G. 900.4520.33.30	33	3000	2240	>80	24V DC	1	20°/45°	991	617
SDRUB.G. 1200.27.44.30	44	3000	3580	>80	24V DC	1,4	27°	1197	750
SDRUB.G. 1200.38.44.30	44	3000	3580	>80	24V DC	1,4	38°	1197	750
SDRUB.G. 1200.4520.44.30	44	3000	2430	>80	24V DC	1,4	20°/45°	1197	750
SDRUB.G. 1500.27.55.30	55	3000	4030	>80	24V DC	1,7	27°	1492	900
SDRUB.G. 1500.38.55.30	55	3000	4030	>80	24V DC	1,7	38°	1492	900
SDRUB.G. 1500.4520.55.30	55	3000	3540	>80	24V DC	1,7	20°/45°	1492	900

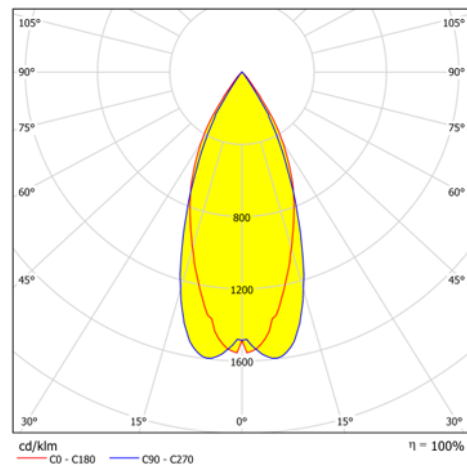


27°



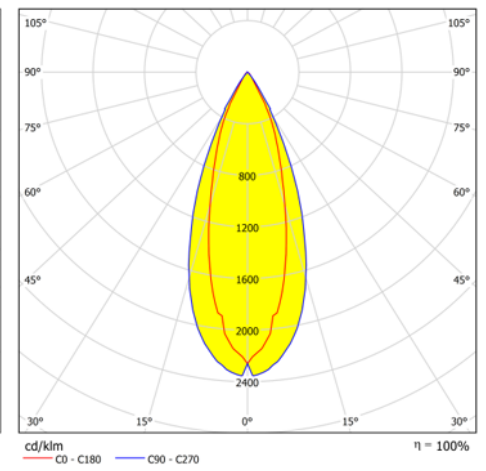
27° Black Baffle Glare

38°

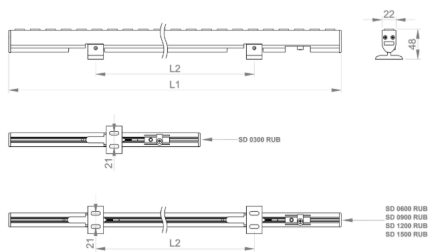


38° Black Baffle Glare

20°/45°

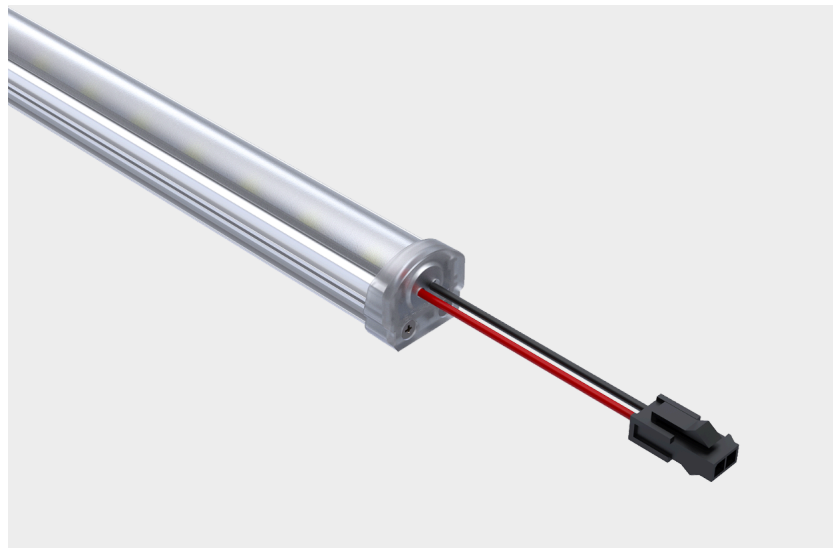


20°/45° Black Baffle Glare





# Cove 1 - Frosted Led Bar



## Housing

Matt natural anodized, aluminum extrusion profile and mounting accessories with plastic end cap.

## Optics

Frosted diffusing polycarbonate lens with lambertian light distribution.

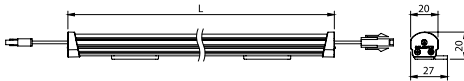
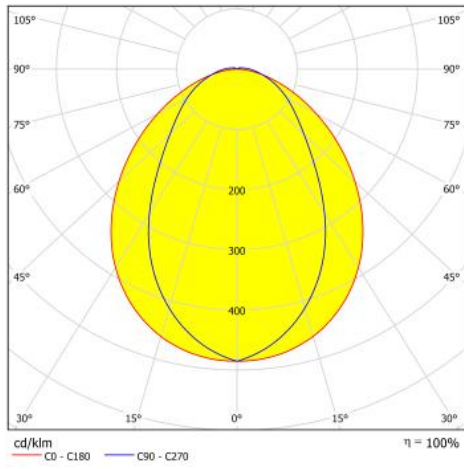
## Led

High-efficacy mid power LED with CRI>80, achieving L70B50 ≥ 50,000 hours of lifetime.

## Driver

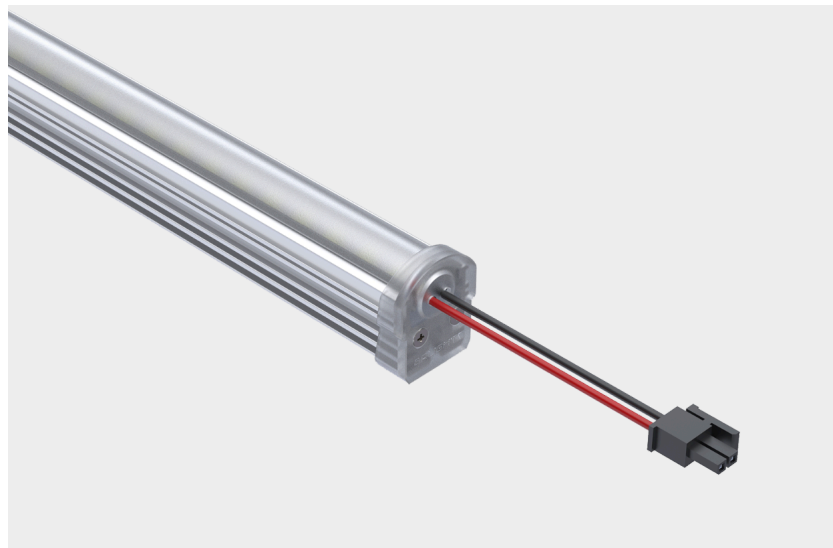
24Vdc external type. Constant voltage output driver with high efficiency.

Type Code	Power (w)	CCT (K)	Light Output (lm)	CRI	V/Hz	Weight (Kg)	L (mm)
SDCVIB.135.2.30	2	3000	180	>80	24V DC	0,04	135
SDCVIB.135.2.40	2	4000	190	>80	24V DC	0,04	135
SDCVIB.260.4.30	4	3000	310	>80	24V DC	0,07	260
SDCVIB.260.4.40	4	4000	330	>80	24V DC	0,07	260
SDCVIB.505.8.30	8	3000	700	>80	24V DC	0,14	505
SDCVIB.505.8.40	8	4000	745	>80	24V DC	0,14	505
SDCVIB.1000.16.30	16	3000	1405	>80	24V DC	0,28	1000
SDCVIB.1000.16.40	16	4000	1560	>80	24V DC	0,28	1000
SDCVIB.1245.20.30	20	3000	1780	>80	24V DC	0,34	1245
SDCVIB.1245.20.40	20	4000	1900	>80	24V DC	0,34	1245
SDCVIB.1495.24.30	24	3000	2145	>80	24V DC	0,41	1495
SDCVIB.1495.24.40	24	4000	2285	>80	24V DC	0,41	1495





## Cove 2 - Frosted Led Bar



### Housing

Matt natural anodized, aluminum extrusion profile and stainless steel mounting accessories with plastic end cap.

### Optics

Frosted diffusing polycarbonate lens with lambertian light distribution.

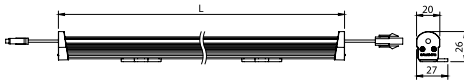
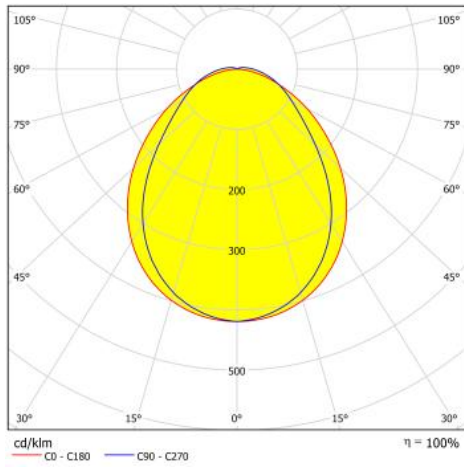
### Led

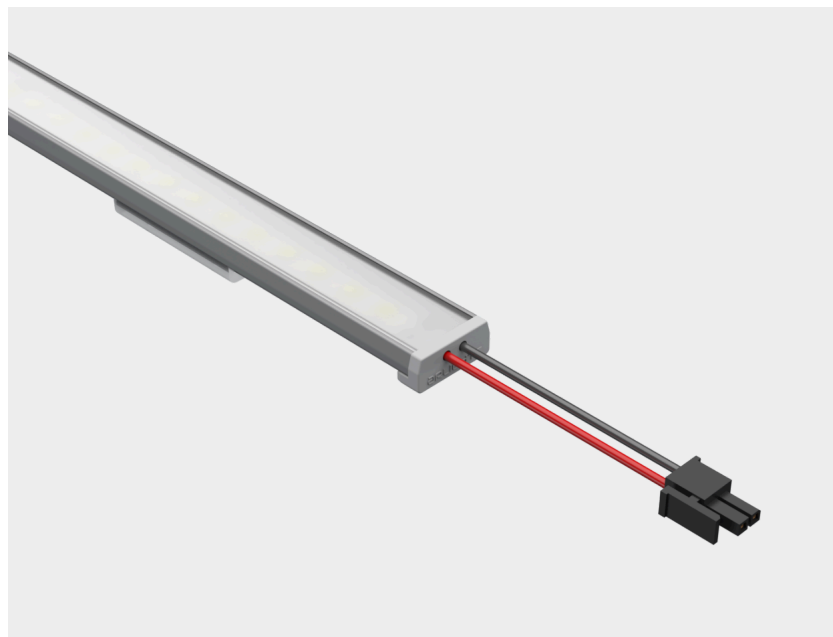
High-efficacy mid power LED with CRI>80, achieving L70B50 ≥ 50,000 hours of lifetime.

### Driver

24Vdc external type. Constant voltage output driver with high efficiency.

Type Code	Power (w)	CCT (K)	Light Output (lm)	CRI	V/Hz	Weight (Kg)	L (mm)
SDCVKB.135.3.30	3	3000	275	>80	24V DC	0,06	135
SDCVKB.135.3.40	3	4000	295	>80	24V DC	0,06	135
SDCVKB.260.6.30	6	3000	560	>80	24V DC	0,10	260
SDCVKB.260.6.40	6	4000	595	>80	24V DC	0,10	260
SDCVKB.505.12.30	12	3000	1130	>80	24V DC	0,19	505
SDCVKB.505.12.40	12	4000	1225	>80	24V DC	0,19	505
SDCVKB.1000.24.30	24	3000	2330	>80	24V DC	0,37	1000
SDCVKB.1000.24.40	24	4000	2535	>80	24V DC	0,37	1000
SDCVKB.1245.30.30	30	3000	2835	>80	24V DC	0,46	1245
SDCVKB.1245.30.40	30	4000	3020	>80	24V DC	0,46	1245
SDCVKB.1495.36.30	36	3000	3410	>80	24V DC	0,55	1495
SDCVKB.1495.36.40	36	4000	3625	>80	24V DC	0,55	1495





## Strio-LL Opal

### Housing

Matt natural anodized, aluminum extrusion profile and mounting accessories with plastic end cap

### Diffuser

Opal, white, diffusing polycarbonate diffuser with lambertian light distribution

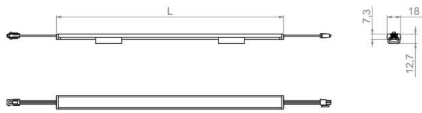
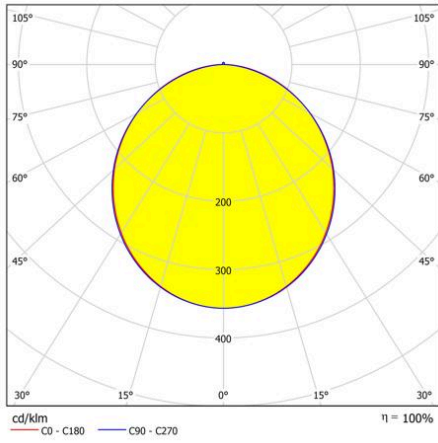
### Led

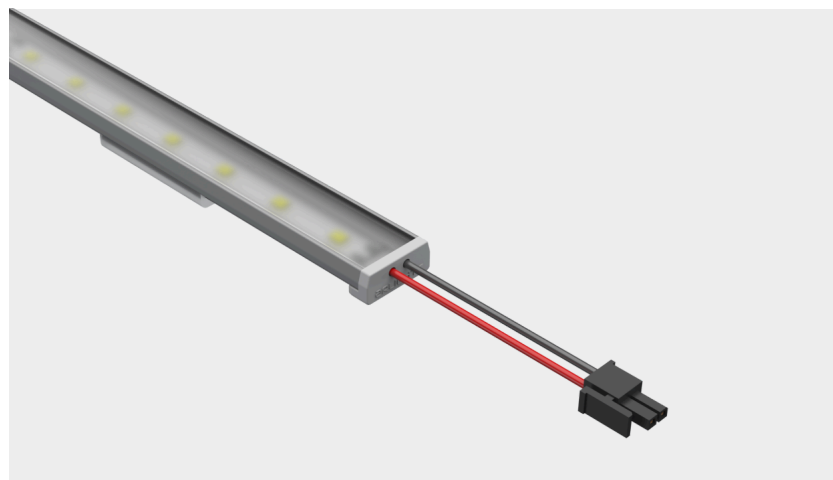
High-efficacy mid power LED, achieving L70B50 ≥ 50,000 hours of lifetime

### Driver

24V external type. Constant voltage output driver with high efficiency

Type Code	Power (w)	CCT (K)	Light Output (lm)	CRI	V/Hz	L (mm)
SDSRL0140.1,5.40	1,5	4000	133	>80	24V DC	140
SDSRL0140.1,5.30	1,5	3000	130	>80	24V DC	140
SDSRL.0264.3.40	3	4000	268	>80	24V DC	264
SDSRL.0264.3.30	3	3000	262	>80	24V DC	264
SDSRL.0511.7.40	7	4000	535	>80	24V DC	511
SDSRL.0511.7.30	7	3000	524	>80	24V DC	511
SDSRL.1005.13.40	13	4000	1088	>80	24V DC	1005
SDSRL.1005.13.30	13	3000	1066	>80	24V DC	1055
SDSRL.1252.16.40	16	4000	1389	>80	24V DC	1252
SDSRL.1252.16.30	16	3000	1361	>80	24V DC	1252
SDSRL.1499.20.40	20	4000	1694	>80	24V DC	1499
SDSRL.1499.20.30	20	3000	1660	>80	24V DC	1499





## Strio-LL Frosted

### Housing

Matt natural anodized, aluminum extrusion profile and mounting accessories with plastic end cap

### Diffuser

Opal, white, diffusing polycarbonate diffuser with lambertian light distribution

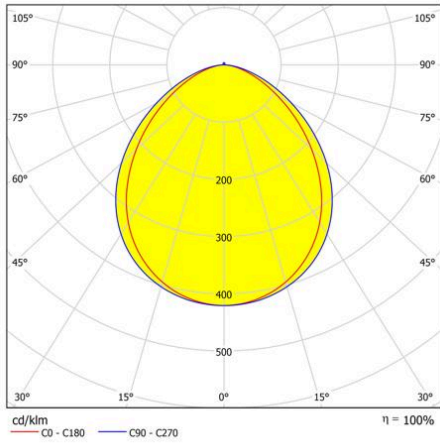
### Led

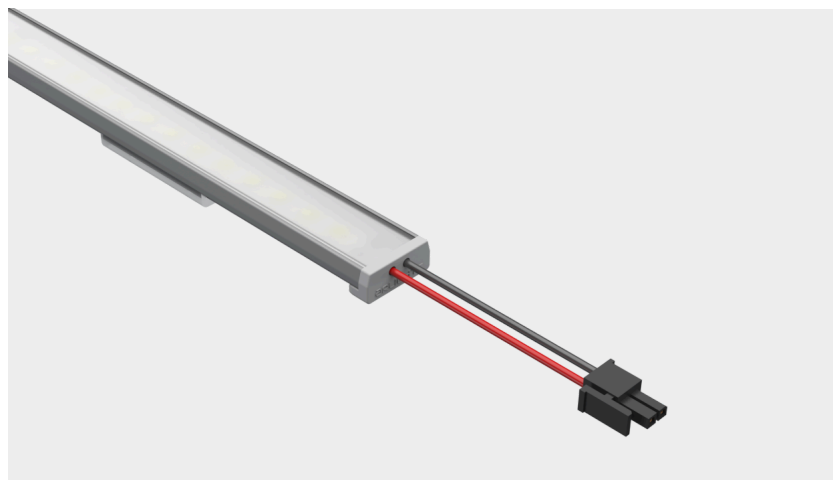
High-efficacy mid power LED, achieving L70B50 ≥ 50,000 hours of lifetime

### Driver

24V external type. Constant voltage output driver with high efficiency

Type Code	Power (w)	CCT (K)	Light Output (lm)	CRI	V/Hz	L (mm)
SDSRLB0140.1,5.40	1,5	4000	162	>80	24V DC	140
SDSRLB0140.1,5.30	1,5	3000	159	>80	24V DC	140
SDSRLB.0264.3.40	3	4000	322	>80	24V DC	264
SDSRLB.0264.3.30	3	3000	315	>80	24V DC	264
SDSRLB.0511.7.40	7	4000	641	>80	24V DC	511
SDSRLB.0511.7.30	7	3000	628	>80	24V DC	511
SDSRLB.1005.13.40	13	4000	1305	>80	24V DC	1005
SDSRLB.1005.13.30	13	3000	1279	>80	24V DC	1055
SDSRLB.1252.16.40	16	4000	1667	>80	24V DC	1252
SDSRLB.1252.16.30	16	3000	1634	>80	24V DC	1252
SDSRLB.1499.20.40	20	4000	2048	>80	24V DC	1499
SDSRLB.1499.20.30	20	3000	2007	>80	24V DC	1499





## Strio-HL Opal

### Housing

Matt natural anodized, aluminum extrusion profile and mounting accessories with plastic end cap

### Diffuser

Opal, white, diffusing polycarbonate diffuser with lambertian light distribution

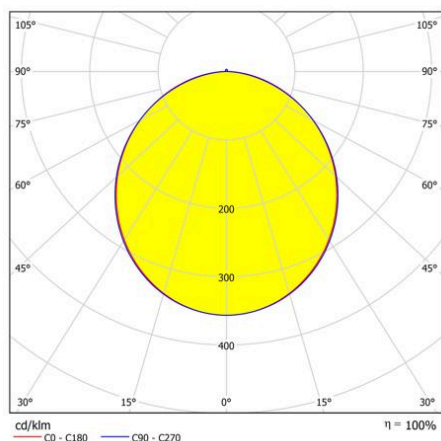
### Led

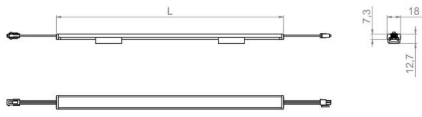
High-efficacy mid power LED, achieving L70B50 ≥ 50,000 hours of lifetime

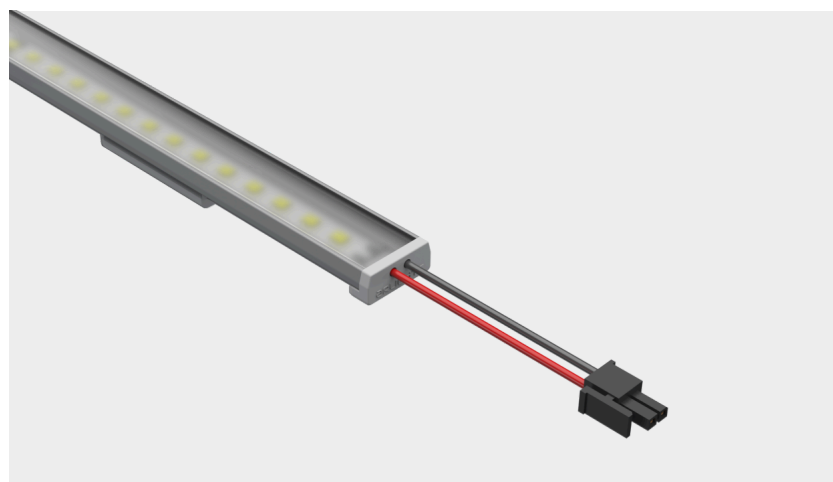
### Driver

24V external type. Constant voltage output driver with high efficiency

Type Code	Power (w)	CCT (K)	Light Output (lm)	CRI	V/Hz	L (mm)
SDSRH0140.3.40	3	4000	193	>80	24V DC	140
SDSRH0140.3.30	3	3000	189	>80	24V DC	140
SDSRH.0264.6.40	6	4000	412	>80	24V DC	264
SDSRH.0264.6.30	6	3000	416	>80	24V DC	264
SDSRH.0511.11.40	11	4000	769	>80	24V DC	511
SDSRH.0511.11.30	11	3000	754	>80	24V DC	511
SDSRH.1005.24.40	24	4000	1719	>80	24V DC	1005
SDSRH.1005.24.30	24	3000	1685	>80	24V DC	1055
SDSRH.1252.29.40	29	4000	2140	>80	24V DC	1252
SDSRH.1252.29.30	29	3000	2097	>80	24V DC	1252
SDSRH.1499.36.40	36	4000	2615	>80	24V DC	1499
SDSRH.1499.36.30	36	3000	2598	>80	24V DC	1499







## Strio-HL Frosted

### Housing

Matt natural anodized, aluminum extrusion profile and mounting accessories with plastic end cap

### Diffuser

Frosted diffusing polycarbonate diffuser with lambertian light distribution

### Led

High-efficacy mid power LED, achieving L70B50 ≥ 50,000 hours of lifetime

### Driver

24V external type. Constant voltage output driver with high efficiency

Type Code	Power (w)	CCT (K)	Light Output (lm)	CRI	V/Hz	L (mm)
SDSRHB0140.3.40	3	4000	234	>80	24V DC	140
SDSRHB0140.3.30	3	3000	229	>80	24V DC	140
SDSRHB. 0264.6.40	6	4000	498	>80	24V DC	264
SDSRHB. 0264.6.30	6	3000	496	>80	24V DC	264
SDSRHB. 0511.11.40	11	4000	941	>80	24V DC	511
SDSRHB. 0511.11.30	11	3000	922	>80	24V DC	511
SDSRHB. 1005.24.40	24	4000	2063	>80	24V DC	1005
SDSRHB. 1005.24.30	24	3000	2022	>80	24V DC	1055
SDSRHB. 1252.29.40	29	4000	2570	>80	24V DC	1252
SDSRHB. 1252.29.30	29	3000	2519	>80	24V DC	1252
SDSRHB. 1499.36.40	36	4000	3134	>80	24V DC	1499
SDSRHB. 1499.36.30	36	3000	3142	>80	24V DC	1499

